

Load Break Switches

BASE MOUNT - 3 pole



Page 8.2

BASE MOUNT - 4 pole



Page 8.3

DIN MOUNT - 3 pole



Page 8.4

SURFACE MOUNT



Page 8.5

ACCESSORIES



Page 8.6

LOAD BREAK SWITCHES

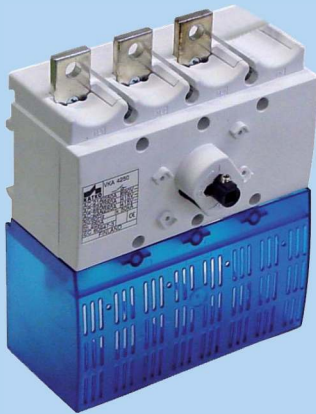
DIN Rail Mounting
Insulation Voltage: 690v

BASE MOUNT

PART NO	AC-22 (400v) Amps	AC-23 (400v) KW	Terminal Size mm ²	Price
BASIC MODEL - 3 POLE - Base Mount complete with Handle & Shaft				
KU316N	16	7.5	1.5 - 16	559.30
KU325N	25	11	1.5 - 16	567.60
KU340N	40	15	1.5 - 16	576.00
KU363N	63	22	2.5 - 35	683.30
KU380N	80	30	2.5 - 35	766.20
VKA3125N	125	45	6 - 70	1676.50
VKA3160N	160	55	6 - 70	1925.20
VKA3250	250	132	M8 bolt	2683.10



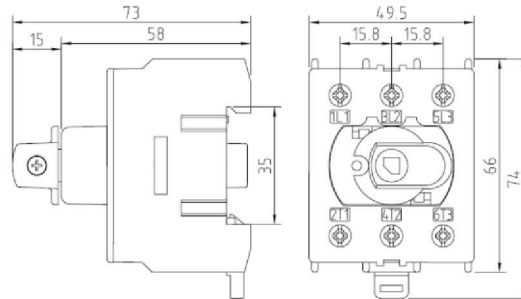
KU325N



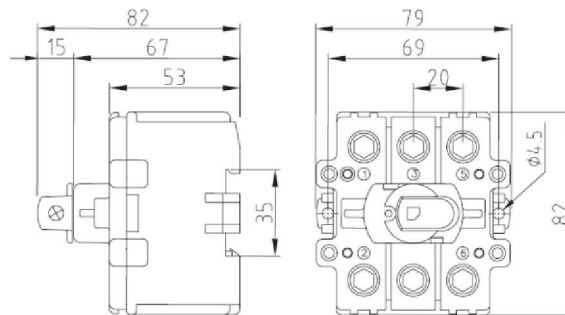
VKA3250

Dimensions

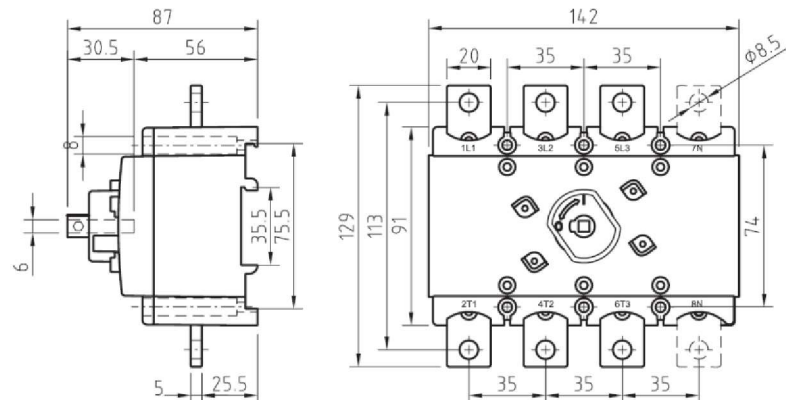
KU series 16 - 80 A (3 pole)



VKA series 125 - 160 A (3 pole)



VKA series 250 A (3 pole)



All Prices Exclude VAT and are subject to change without prior notice.

LOAD BREAK SWITCHES

DIN Rail Mounting
Insulation Voltage: 690v

BASE MOUNT



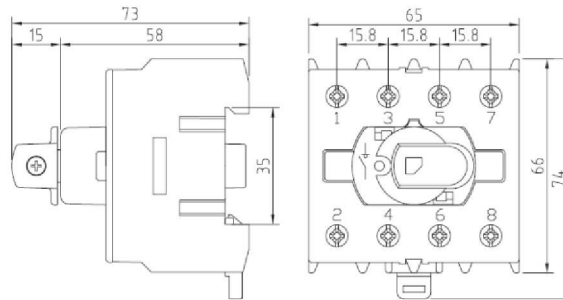
VKA4125N

PART NO	AC-22 (400v) Amps	AC-23 (400v) KW	Terminal Size mm ²	Price
BASIC MODEL - 4 POLE - Base Mount complete with Handle & Shaft				
KU416N	16	7.5	1.5 - 16	658.20
KU425N	25	11	1.5 - 16	674.90
KU440N	40	15	1.5 - 16	691.70
KU463N	63	22	2.5 - 35	939.80
KU480N	80	30	2.5 - 35	1030.50
VKA4125N	125	37	6 - 70	2152.80
VKA4160N	160	55	6 - 70	2436.30

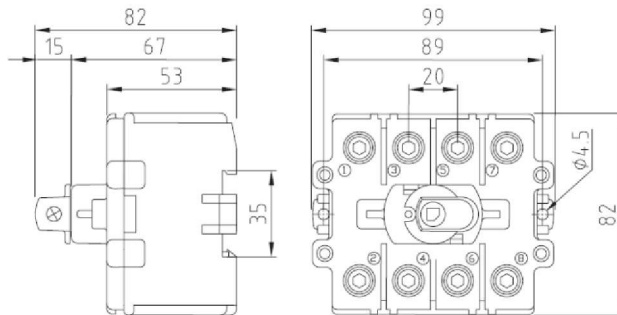
*** LIMITED STOCK ***

Dimensions

KU series 16 - 80 A (4 pole)



VKA series 125 - 160 A (4 pole)



All Prices Exclude VAT and are subject to change without prior notice.

LOAD BREAK SWITCHES

DIN Rail Mounting
Insulation Voltage: 690v

DIN MOUNT

PART NO	AC-22 (400v) Amps	AC-23 (400v) KW	Terminal Size mm ²	Price
BASIC MODEL - 3 POLE - DIN Mount Toggle Handle				
KUE316	16	7.5	1.5 - 16	320.10
KUE325	25	11	1.5 - 16	349.70
KUE340	40	15	1.5 - 16	379.90
KUE363	63	22	2.5 - 35	506.50
KUE380	80	30	2.5 - 35	595.20
EVA3125	125	45	6 - 70	1241.90
EVA3160	160	75	6 - 70	1430.90



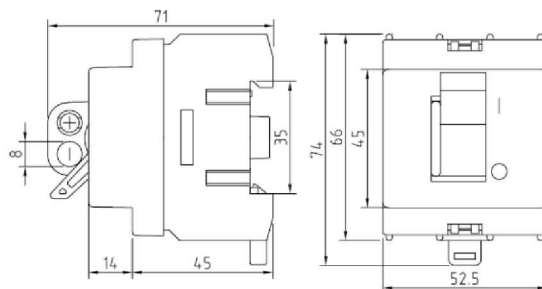
KUE316



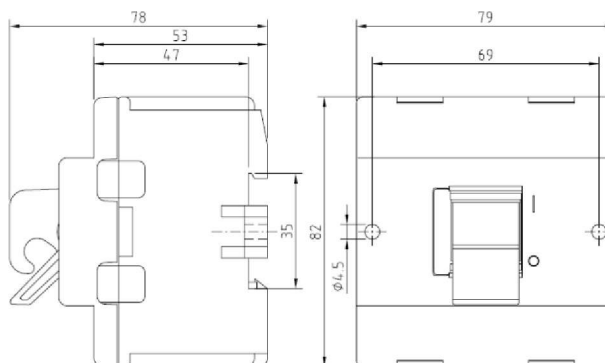
EVA3160

Dimensions

KUE series 16 - 80 A (3 pole)



EVA series 125 - 160 A (3 pole)



All Prices Exclude VAT and are subject to change without prior notice.

SURFACE SWITCHES



KEM325G/B & KEM363G/B
ABS Plastic



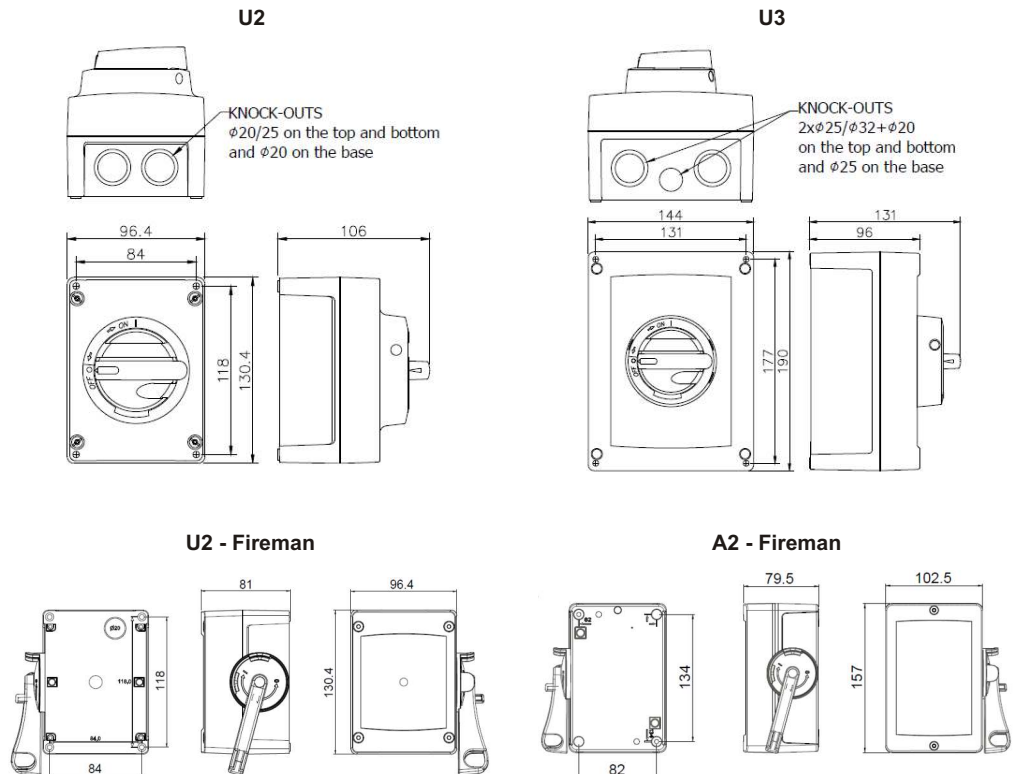
KEM325Y/R & KEM363Y/R
Polycarbonate



KEF325M

PART NO	AC-22 (415v) Amps	AC-23 KW	POLES	ENCLOSURE	Price
ON-OFF ISOLATORS - ABS Enclosure					
IP 65 Enclosures Padlockable Door interlock					
KEM325Y/R-ABS	25	11	3	U2	542.50
KEM340Y/R-ABS	40	15	3	U2	572.10
KEM363Y/R-ABS	63	22	3	U3	1066.40
KEM380Y/R-ABS	80	30	3	U3	1234.90
ON-OFF ISOLATORS - Polycarbonate Enclosure					
IP 66 Enclosures Padlockable Door interlock Self extinguishing material					
KEM325Y/R-POLY	25	11	3	U2	693.60
KEM340Y/R-POLY	40	15	3	U2	802.20
KEM363Y/R-POLY	63	22	3	U3	1260.50
KEM380Y/R-POLY	80	30	3	U3	1697.70
KEM425Y/R-POLY	25	11	4	U2	927.60
KEM463Y/R-POLY	63	22	4	U3	1429.60
FIREMAN SWITCH					
Aluminium Enclosure					
KEF325	25	11	3	U2	POA
Polycarbonate Enclosure					
KEF325M	25	11	3	A2	POA

Dimensions



All Prices Exclude VAT and are subject to change without prior notice.

ACCESSORIES



LK10Y/R & LK10



KU1-V



CHANGE OVER KIT



ALK-125 SPREADER SET

PART NO	DESCRIPTION	Price
LK10Y/R	Door Interlock Handle Yellow/Red	210.90
LK10	Door Interlock Handle Black	210.90
L300/AD11	300mm Extension Shaft	50.80
KU1-V	1NC + 1NO Aux Contact for KU models	178.70
VKA1-V	1NC + 1NO Aux Contact for VKA3125 & VKA3160	232.00
VK1-S	1NO Aux Contact for VKA3250	222.00
RV66	Kit for 6 pole connection for KU models	313.00
RV104	Kit for 6 pole connection for VKA models	342.60
VV-1-0-2KU	Change-over kit for KU models	2100.10
VV-1-0-2VKA	Change-over kit for VKA models	1284.00
KV10X38	Fuse Base attachment for 10 x 38 fuses - 3 pole	231.00
OKA/KU/LK10	Yellow/Red Panel mount kit for KU316N to KU380N	311.70
ALK-125	Spreader Terminal Set (6 pieces) For larger cable sizes due to Voltage drop Used with EVA & VKA models	279.00

All Prices Exclude VAT and are subject to change without prior notice.