

# Panel Meters & CTs

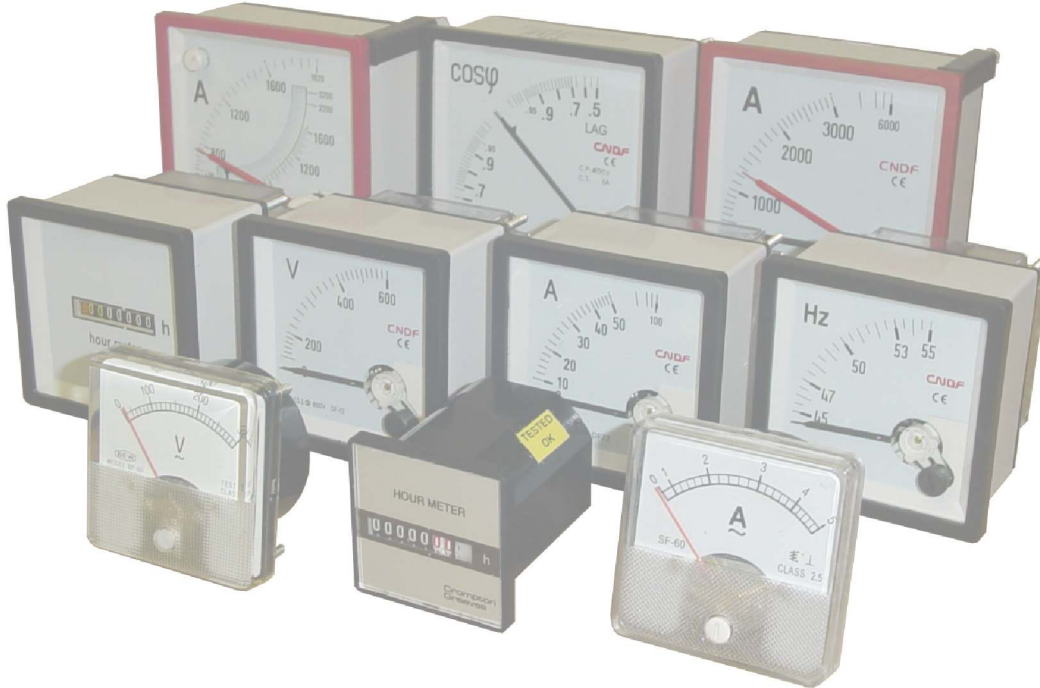
## SWITCHBOARD PANEL METERS

Ammeters & Scale Plates Page 10.2

Maximum Demand Meters & Scale Plates Page 10.3

Voltmeters Meters & Hour Meters Page 10.4

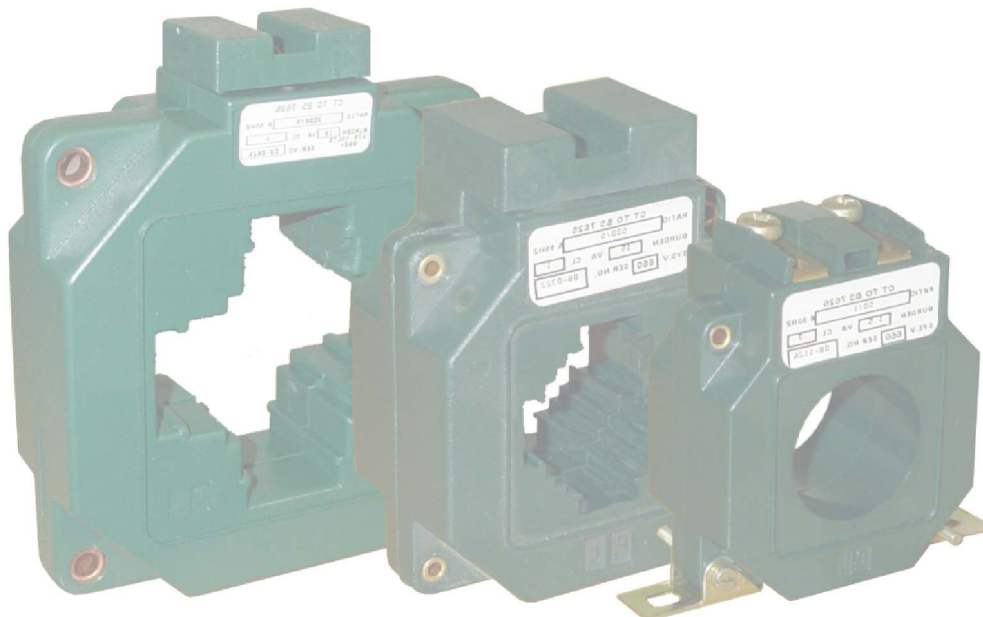
Power Factor Meter, Frequency Meters & Accessories Page 10.5



## CURRENT TRANSFORMERS

KRO & KR2 Series Page 10.6

LR1 Series Page 10.7



All Prices Exclude VAT and are subject to change without prior notice.

## SWITCHBOARD PANEL METERS

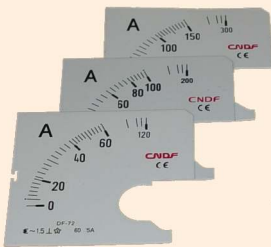
### AMMETERS - Moving Iron AC



AMMETER - BP SERIES



AMMETER - EQ SERIES



SCALE PLATES

| PARTNO   | AMPS   | Size mm <sup>2</sup> | Cut-out (mm) | Price  |
|--|--|----------------------|--------------|--------|
| <b><u>DIRECT READING</u></b>                           |  |                      |              |        |
| <b>BP60-*</b>  | 5, 10, 15, 20, 30 (no overscale)   | 60 x 60              | 55 Ø         | 178.70 |
| <b>EQ72-*</b>  | 10/20, 15/30, 20/40, 25/50, 30/60<br>40/80 (2 x overscale)   | 72 x 72              | 68 x 68      | 198.00 |
| <b><u>CT OPERATED - 5 amp (incl. scale plates)</u></b> |  |                      |              |        |
| <b>EQ72-*</b>  | 5/5, 10/5, 30/5, 50/5, 60/5, 80/5,<br>100/5, 150/5, 200/5, 250/5, 300/5,<br>400/5, 500/5, 600/5, 800/5, 1000/5,<br>1200/5 (2 x overscale)            | 72 x 72              | 68 x 68      | 198.00 |
| <b>EQ96-*</b>  | 50/5, 100/5, 150/5, 200/5, 250/5,<br>300/5, 400/5, 500/5, 600/5, 800/5,<br>1000/5, 1200/5, 1600/5, 1800/5,<br>2000/5, 2500/5, 3000/5 (2 x overscale) | 96 x 96              | 92 x 92      | 212.40 |
| <b><u>SPARE SCALE PLATES</u></b>                       |  |                      |              |        |
| <b>ESC72-*</b>   | 5/5, 10/5, 30/5, 50/5, 60/5, 80/5,<br>100/5, 150/5, 200/5, 250/5, 300/5,<br>400/5, 500/5, 600/5, 800/5, 1000/5,<br>1200/5 (2 x overscale)            | 72 x 72              |              | 26.70  |
| <b>ESC96-*</b>   | 50/5, 100/5, 150/5, 200/5, 250/5,<br>300/5, 400/5, 500/5, 600/5, 800/5,<br>1000/5, 1200/5, 1600/5, 1800/5,<br>2000/5, 2500/5, 3000/5 (2 x overscale) | 96 x 96              |              | 26.80  |

**Note: Replace \* with Scale Plate value**

## SWITCHBOARD PANEL METERS

### MAXIMUM DEMAND METERS

15 minute response time  
Black, Red, Blue & White bezels available.

### COMBINATION



MAXIMUM DEMAND METER  
(combination)

| PARTNO  | AMPS   | Size mm <sup>2</sup> | Cut-out (mm) | Price  |
|---|--|----------------------|--------------|--------|
| <b>COMBINATION MAXIMUM DEMAND METERS (incl. scale plates)</b> |  |                      |              |        |
| <b>BIEQ96-*</b>   | 50/5, 100/5, 150/5, 200/5, 250/5,<br>300/5, 400/5, 500/5, 600/5, 800/5,<br>1000/5, 1200/5, 1600/5, 1800/5,<br>2000/5, 2500/5 (2 x overscale) | 96 x 96              | 92 x 92      | 785.00 |
| <b>COMBINATION SPARE SCALE PLATES</b>                         |  |                      |              |        |
| <b>BSC96-*</b>  | 50/5, 100/5, 150/5, 200/5, 250/5,<br>300/5, 400/5, 500/5, 600/5, 800/5,<br>1000/5, 1200/5, 1600/5, 1800/5,<br>2000/5, 2500/5 (2 x overscale) | 96 x 96              |              | 26.80  |

**Note: Replace \* with Scale Plate value**

## SWITCHBOARD PANEL METERS

### VOLTMETERS - Moving Iron AC

| PARTNO           | VOLTS | Size mm <sup>2</sup> | Cut-out (mm) | Price  |
|------------------|-------|----------------------|--------------|--------|
| <b>BP60-300V</b> | 300 V | 60 x 60              | 55 Ø         | 178.70 |
| <b>BP60-500V</b> | 500 V | 60 x 60              | 55 Ø         | 178.70 |
| <b>EQ72-300V</b> | 300 V | 72 x 72              | 68 x 68      | 210.00 |
| <b>EQ72-600V</b> | 600 V | 72 x 72              | 68 x 68      | 210.00 |
| <b>EQ96-300V</b> | 300 V | 96 x 96              | 92 x 92      | 225.70 |
| <b>EQ96-600V</b> | 600 V | 96 x 96              | 92 x 92      | 225.70 |



VOLTMETER



HOUR METER

### HOUR METERS

| PARTNO            | VOLTS                | Size mm <sup>2</sup> | Cut-out (mm) | Price  |
|-------------------|----------------------|----------------------|--------------|--------|
| <b>HM-700-240</b> | 90 - 264 VAC         | 48 x 48              | 45 x 45      | 339.00 |
| <b>HM-700-400</b> | 400 VAC              | 48 x 48              | 45 x 45      | 339.30 |
| <b>HM-72X72</b>   | 72 x 72 square bezel |                      |              | 19.30  |

All Prices Exclude VAT and are subject to change without prior notice.

## SWITCHBOARD PANEL METERS

### POWER FACTOR METER



POWER FACTOR METER

| PARTNO        | VOLTS | Size mm <sup>2</sup> | Cut-out (mm) | Price         |
|---------------|-------|----------------------|--------------|---------------|
| <b>CQ96DR</b> | 400 V | 96 x 96              | 92 x 92      | <b>930.10</b> |



FREQUENCY METER

### FREQUENCY METERS (Pointer)

| PARTNO           | HERTZ    | Size mm <sup>2</sup> | Cut-out (mm) | Price         |
|------------------|----------|----------------------|--------------|---------------|
| <b>ZQ72-220F</b> | 45-55 Hz | 72 x 72              | 68 x 68      | <b>609.20</b> |
| <b>ZQ72-380F</b> | 45-55 Hz | 72 x 72              | 68 x 68      | <b>609.20</b> |
| <b>ZQ96-220F</b> | 45-55 Hz | 96 x 96              | 92 x 92      | <b>625.50</b> |
| <b>ZQ96-380F</b> | 45-55 Hz | 96 x 96              | 92 x 92      | <b>625.50</b> |



### SPARES & ACCESSORIES

| PARTNO       | DESCRIPTION   | Price        |
|--------------|---|--------------|
| <b>B96/*</b> | Bezels ( <b>Replace * with R for red, B for blue, W for white</b> ) | <b>20.20</b> |
| <b>TE72</b>  | Polycarbonate back terminal covers (IP20) for EQ72 series           | <b>17.30</b> |
| <b>TE96</b>  | Polycarbonate back terminal covers (IP20) for EQ96 series           | <b>17.30</b> |
| <b>GE72</b>  | Spare Glass for EQ72 Series   | <b>14.60</b> |
| <b>GE96</b>  | Spare Glass for EQ96 Series   | <b>14.60</b> |
| <b>GB96</b>  | Spare Glass for BIEQ96 Maximum Demand Meters                        | <b>24.80</b> |

All Prices Exclude VAT and are subject to change without prior notice.

## CURRENT TRANSFORMERS

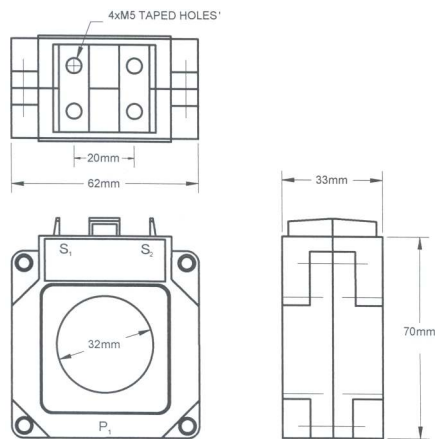
### 32 mm RING TYPE

Hole size: 32 mm Dia.



KRO Series CT

| PARTNO    | MOUNTING | CLASS 1 VA | CLASS 3 VA | Price  |
|-----------|----------|------------|------------|--------|
| KRO-50/5  | SCREW    | -          | 1.25       | 170.20 |
| KRO-60/5  | SCREW    | -          | 2.5        | 170.20 |
| KRO-80/5  | SCREW    | -          | 2.5        | 170.20 |
| KRO-100/5 | SCREW    | 2.5        | 3.75       | 170.20 |
| KRO-150/5 | SCREW    | 5.0        | 7.5        | 170.20 |
| KRO-200/5 | SCREW    | 5.0        | 7.5        | 187.50 |
| KRO-250/5 | SCREW    | 7.5        | 10.0       | 187.50 |
| KRO-300/5 | SCREW    | 10.0       | 15.0       | 187.50 |
| KRO-400/5 | SCREW    | 10.0       |            | 187.50 |



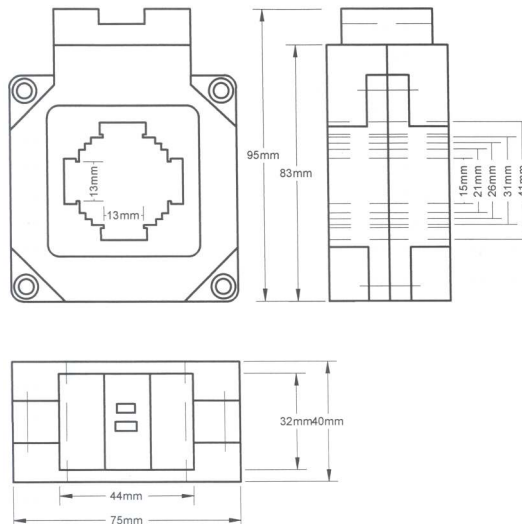
### KR2 SERIES - RING TYPE

Hole size: 32 mm Dia.  
Busbar size: 40 x 12.5 mm



KR2 Series CT

| PARTNO    | MOUNTING | CLASS 0.5 VA | CLASS 1 VA | CLASS 3 VA | Price  |
|-----------|----------|--------------|------------|------------|--------|
| KR2-300/5 | SCREW    | 10.0         | 5.0        | 20         | 211.60 |
| KR2-400/5 | SCREW    | 20.0         | 25.0       | 30         | 218.50 |
| KR2-500/5 | SCREW    | 30.0         | -          | -          | 227.70 |
| KR2-600/5 | SCREW    | 25.0         | 30.0       | -          | 235.80 |
| KR2-800/5 | SCREW    | 7.5          | 10.0       | 15         | 257.60 |



All Prices Exclude VAT and are subject to change without prior notice.

# CURRENT TRANSFORMERS

## LR1 SERIES - RING TYPE

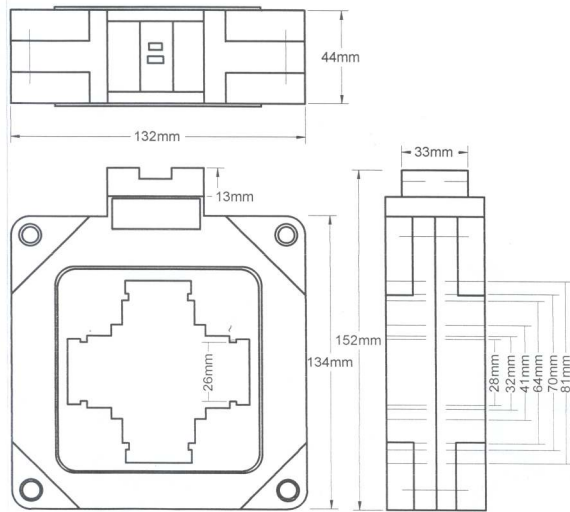
Hole size: 50 mm Dia.  
 Busbar size: 80 x 26 mm



LR1 Series CT

| PARTNO     | CLASS 1 VA | CLASS 1 VA | CLASS 3 VA | Price  |
|------------|------------|------------|------------|--------|
| LR1-600/5  | 7.5        | 25.0       | 30.0       | 304.80 |
| LR1-800/5  | 20.0       | 25.0       | -          | 319.70 |
| LR1-1000/5 | 30.0       | -          | -          | 335.80 |
| LR1-1200/5 | 30.0       | -          | -          | 353.10 |
| LR1-1600/5 | 25.0       | 30.0       | -          | 415.20 |
| LR1-2000/5 | 30.0       | -          | -          | 438.20 |
| LR1-2500/5 | -          | -          | -          | 450.80 |
| LR1-3000/5 | -          | -          | -          | 537.10 |

Note: 1a & 4-20ma secondary output available on request.



All Prices Exclude VAT and are subject to change without prior notice.